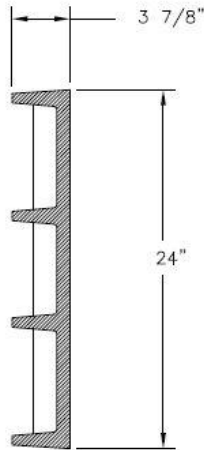
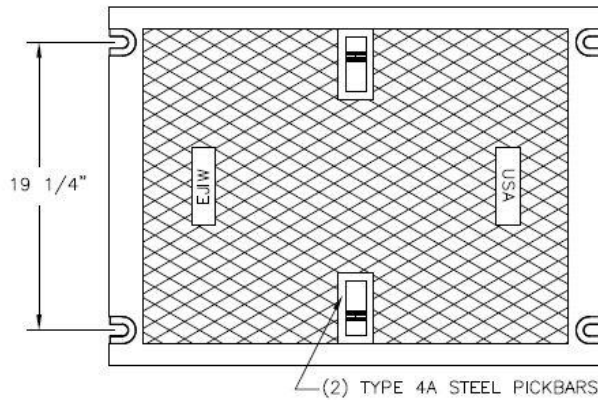


<p>Number</p> <p>V7530-SLT</p>	<p>Series</p> <p>V7500 Series Trench Drain Solid Cover Heavy Duty</p>
--	---

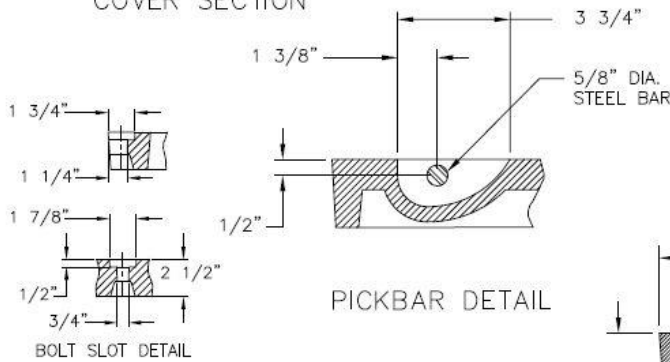
V7530 Trench Cover



COVER SECTION

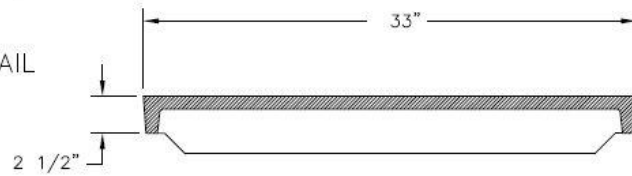


COVER TOP VIEW



PICKBAR DETAIL

BOLT SLOT DETAIL



COVER SECTION

CAUTION: DO NOT DISASSEMBLE BOLTED GRATES BEFORE SETTING SECTIONS IN CONCRETE

Specification

- Grate Material :** Gray Iron (CL35)
- Design Load:** Heavy Duty
- Coating:** Undipped
- Open Area:** N/A
- Certification:** ASTM A48
- Country of Origin:** USA

Manufacturer



DISCLAIMER - The customer and the customer's architects, engineers, consultants, and other professionals are completely responsible for the selection installation and maintenance of any product purchased from Trench Drain Supply and/or its manufacturers. TRENCH DRAIN SUPPLY MAKES NO WARRANTY, EXPRESS OR IMPLIED, AS TO THE SUITABILITY, DESIGN, MERCHANTABILITY, OR FITNESS OF THE PRODUCT FOR CUSTOMERS APPLICATION. The drawing and information provided remain the property and copyright of the manufacturer listed. The manufacturer reserves the right to modify specification without notice.